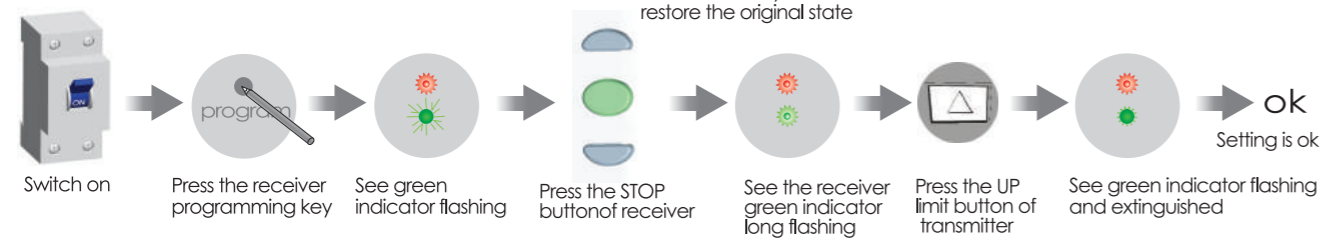




Set up and add emitter

Additional Function



433MHz 868MHz CE FC
All controls support 433MHz & 868MHz
All controls support 230V/50Hz & 120V/60Hz

Control System

DC154 Control System Specification

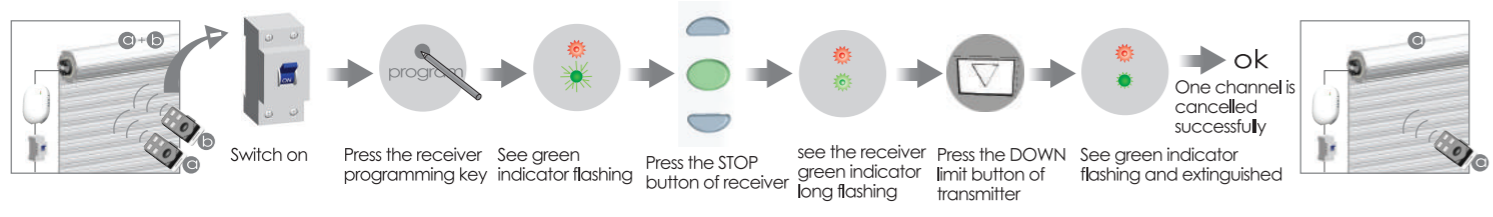


Version No.: A/00



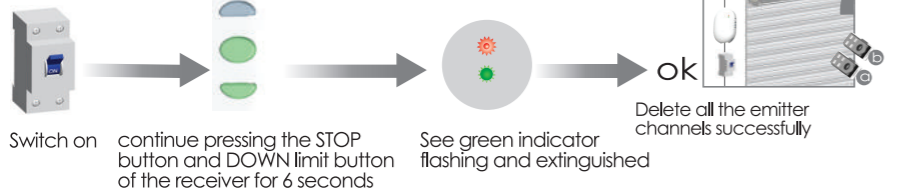
Cancel one channel of emitter

Additional Function



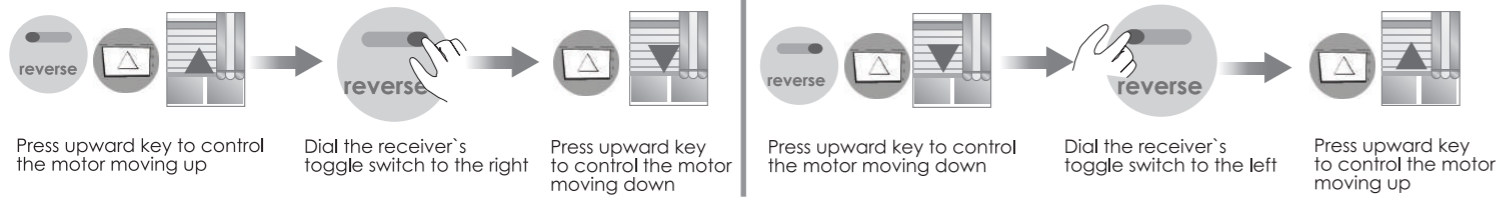
Delete all the emitter channels

Additional Function



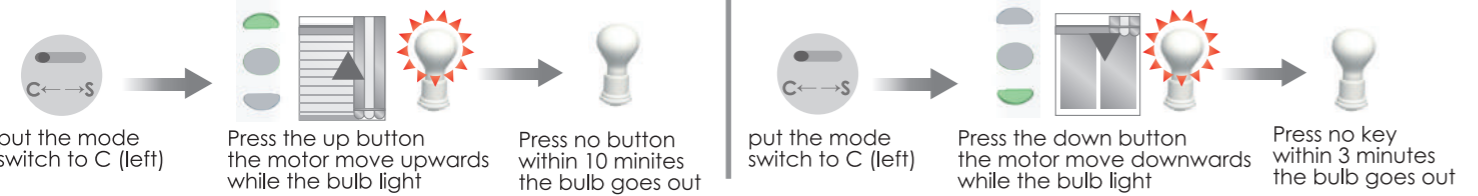
Dial toggle switch to change directions

Additional Function



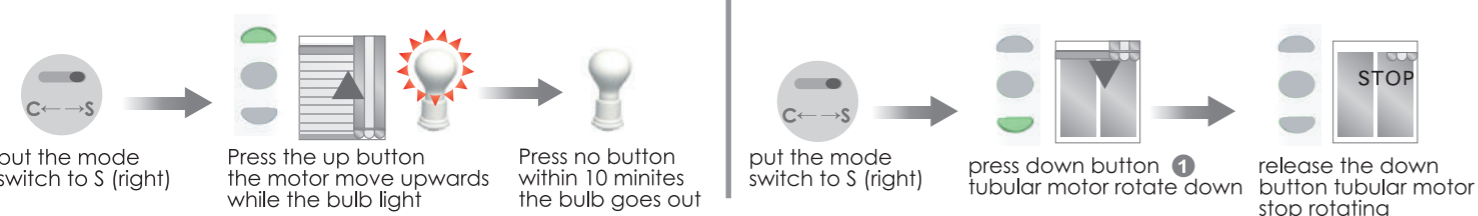
Common mode

Additional Function



Safety mode

Additional Function



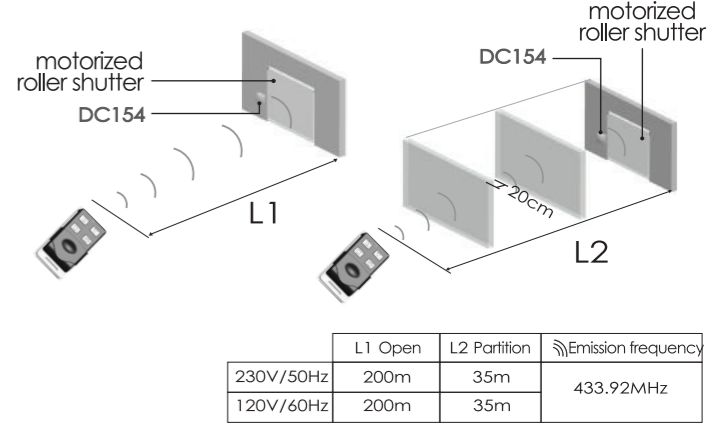
Receiver specification

Technical Support



- ⚠️ group control channel match code, delete code, convert direction all unworkable
- ✗ Dial reversing function
- ✗ Dial switch over mode
- ✗ Connecting with Electronic switch is available (company matched)
- ✗ Connecting with a bulb is available (company matched)
- ✗ Emitter with key for light bulb can make the light bulb lighten or go out circularly
- ✗ Need not press any button of emitter within three minutes, the light bulbs go out
- ✗ standard type DC154 can store 20 effective channels, over 20 channels, if still add new channel, only last channel will be repeating

Control Range

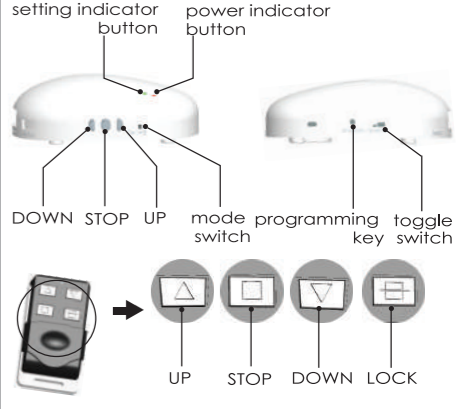


Matchable emitter

Technical Support

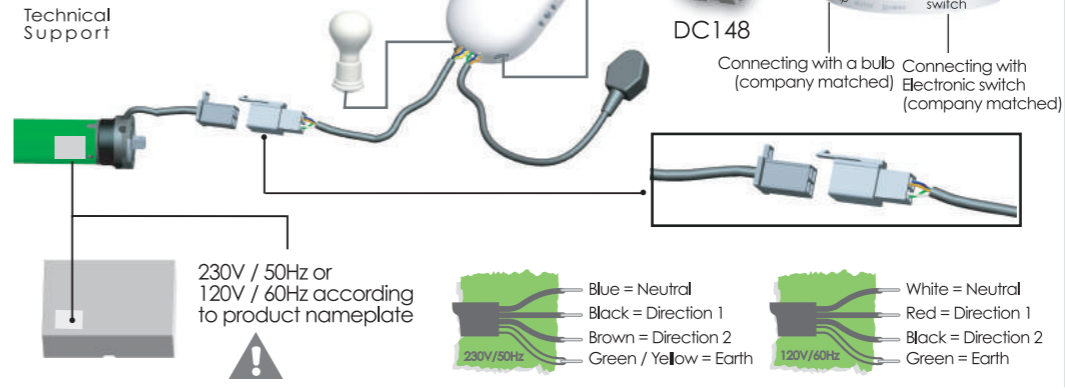


Button specification



Circuit installation

Technical Support



The best installation distance

