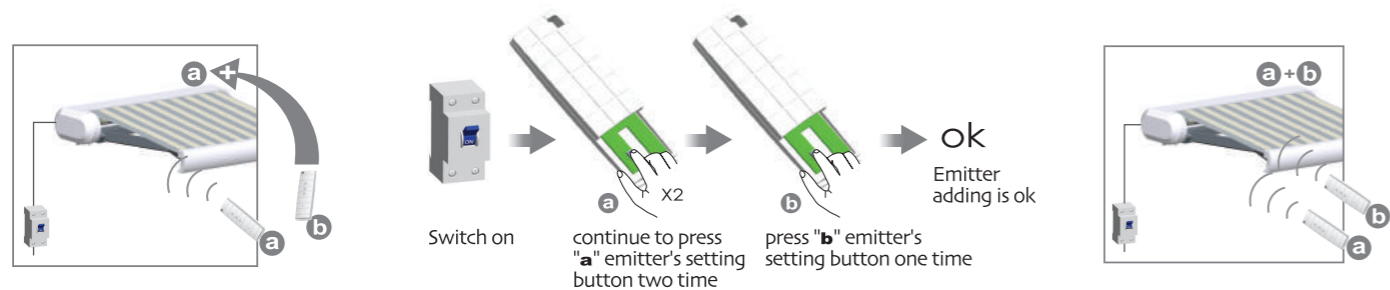




Additional Function

### Add Emitter

In the process of adding emitter, the time interval between pressing the different keys (T) 1S T 6S, otherwise the receiver will quit the status of adding emitter.

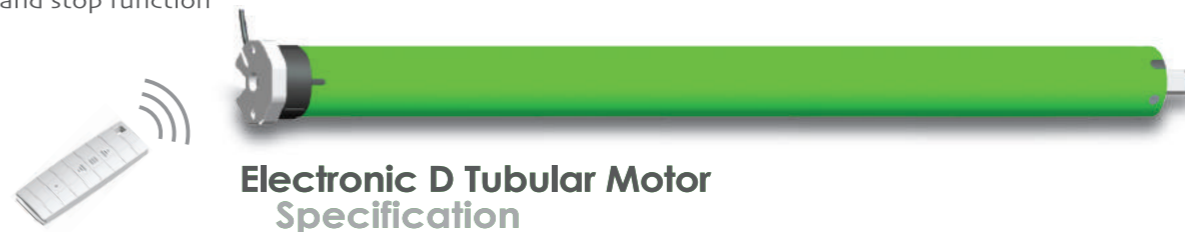


All controls support 433MHz & 868MHz  
All controls support 230V/50Hz & 120V/60Hz



### Electronic D

Electronic Limit + Built-in Receiver  
+ Fabric of awnings tighten automatically function  
+ Resistance and stop function



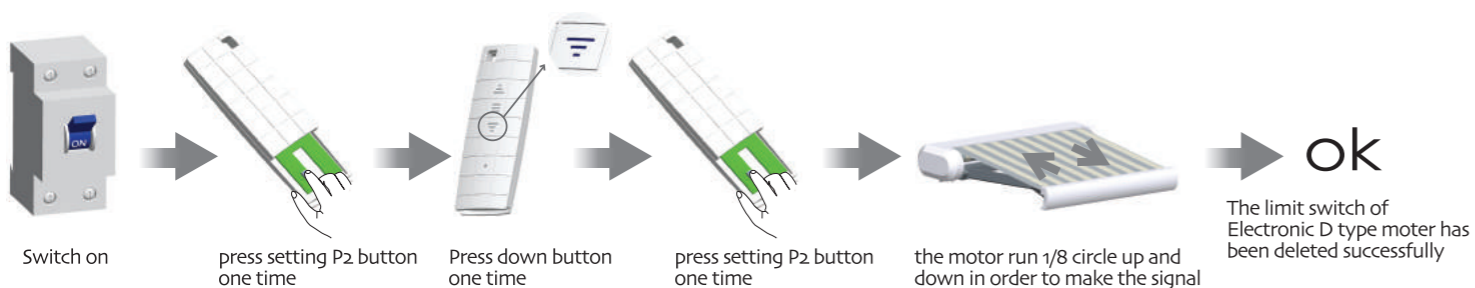
Version No. : A/00



Additional Function

### Delete the limit switch of Electronic D type full cassette awnings

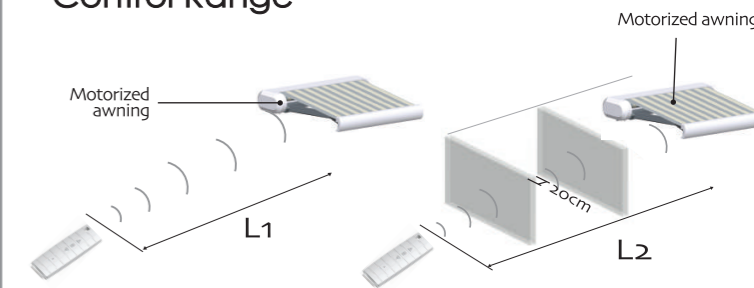
In the process of clearing Electronic D type limit, the time interval between pressing the different keys (T) 1S T 6S, otherwise the receiver will quit the status of clearing Electronic D type limit.



### Technical Support

- 1-channel emitter = single channel emitter × 5  
One channel of emitter can control 20 receivers at most at the same time.
- Electronic D Tubular Motor  
One Electronic D motor maximum can store 20 channels, over 20 channels, if still need add new channels, it will be repeating covered in turn from second channel.

### Control Range



Please set the limit position before use, as the setting method please see: 6 set the limit switch for full cassette awnings of Electronic D type  
Group control programme is noneffective; deleting programme, adding programme and setting limit switch is effective

	L1 Open	L2 Partition	Emission frequency
230V/50Hz	200m	35m	433.92MHz
120V/60Hz	200m	35m	

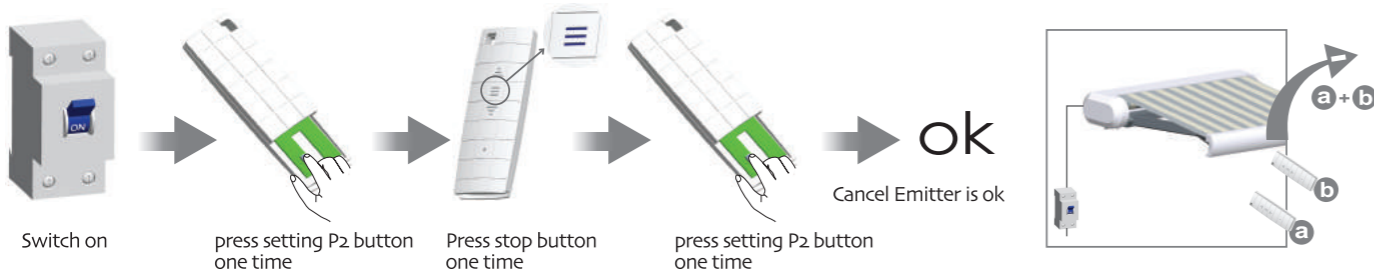


Additional Function

### Cancel Emitter

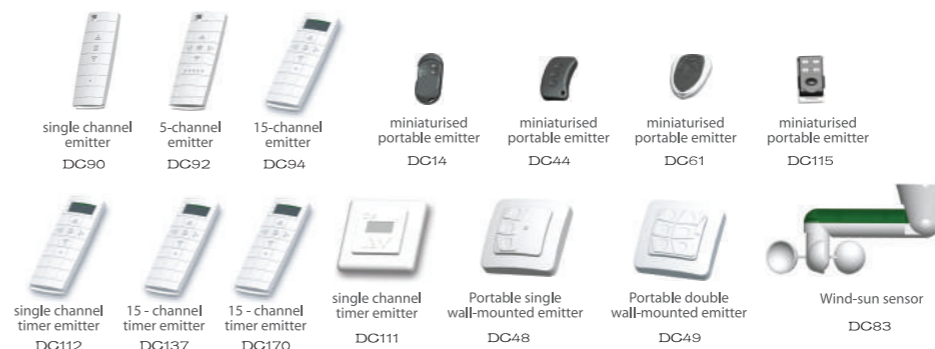
In the process of clearing emitter, the time interval between pressing the different keys (T) 1S T 6S, otherwise the receiver will quit the status of clearing emitter.

To clean up the emitter means deleting all the memory of emitter and limit switch in the Electronic D type motor receivers

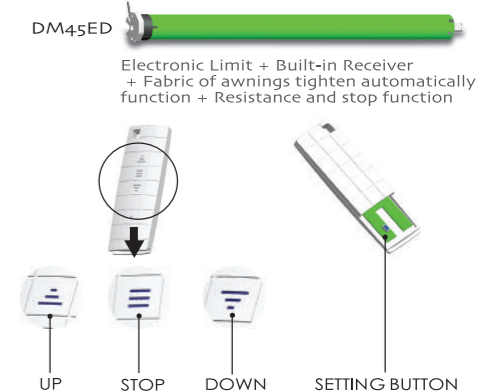


### Matchable emitter and motors

DC48 DC49 DC44 DC61  
Pressing up button and stop button equals P2 button



### Button specification



Attention

### Common failures and solutions

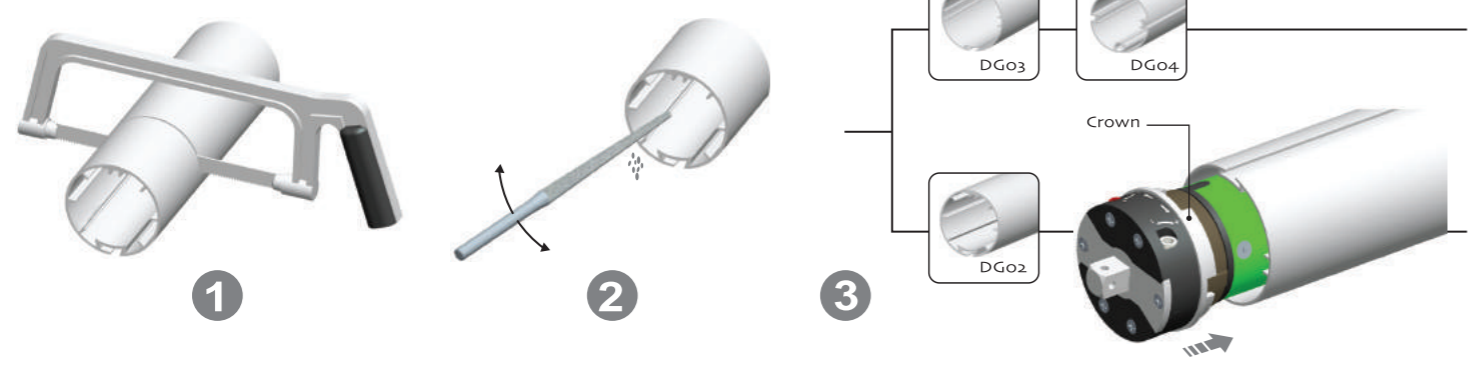
	Fail-phenomena	Failure causes	solutions failure recovery
1	Switch on, the drive adapter runs in one-way operation	setting of limit switch in the motor is uncompleted	re-setting limit switch
2	motor starts slowly or not work after connect power	a. Power voltage is slow b. Wiring error c. Overload d. Improper installation	a. Adjust power to rated data b. Check circuit and correct wiring connecting c. Rated torque associated with the installation of the load d. Re-install the motor
3	Motor stops suddenly after running	Motor stops suddenly after running	Motor will automatically resume work after 20 minutes cooling
4	Abnormal sound during roller blinds in operation	Outer tube is too long, led the rolling shutter connects with both sides of bracket too tightly	If idler is active, propering make the tube shorter to avoid too tight status.



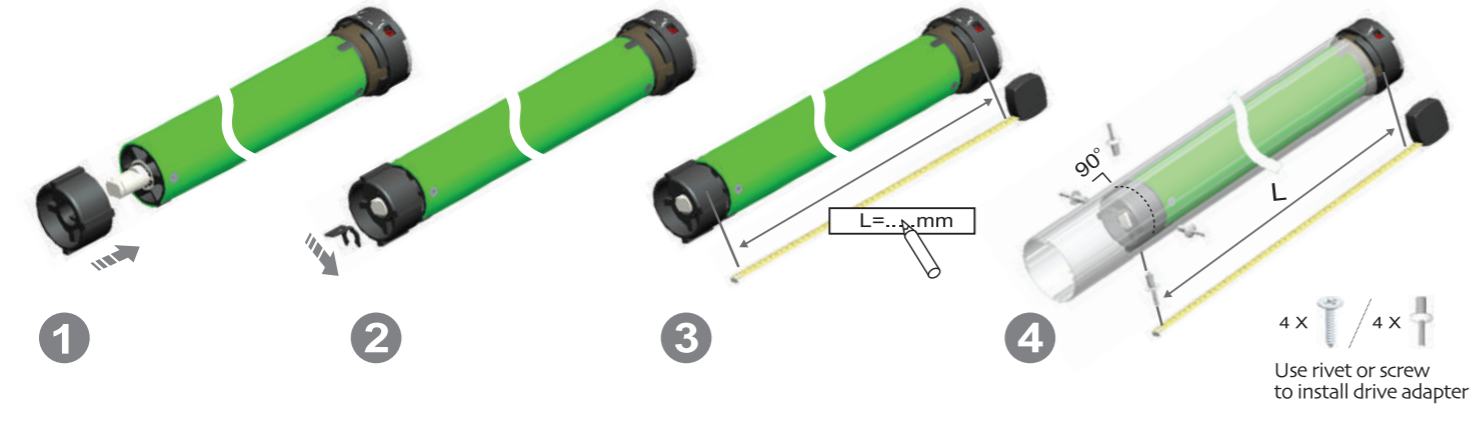
### Attention



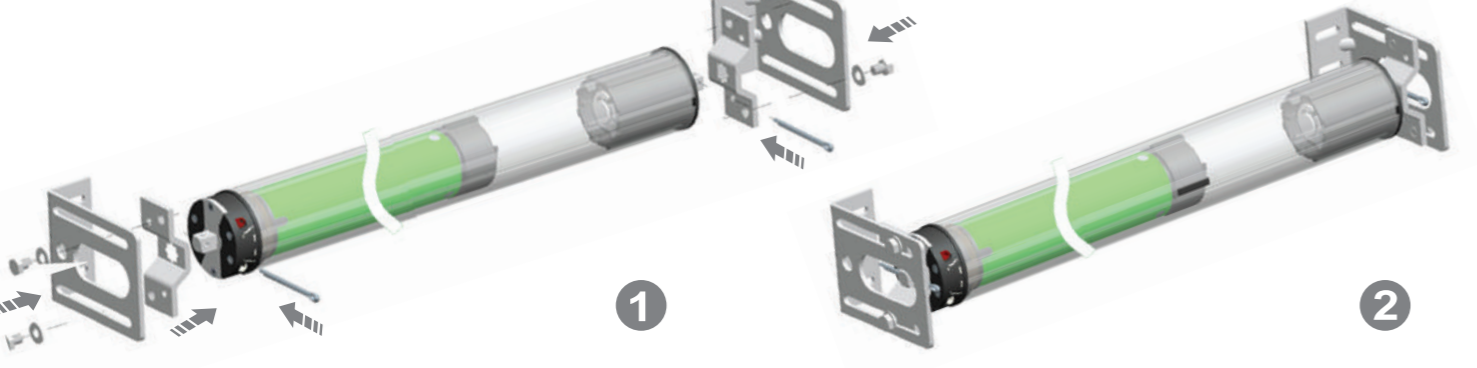
# 1 Crown installation



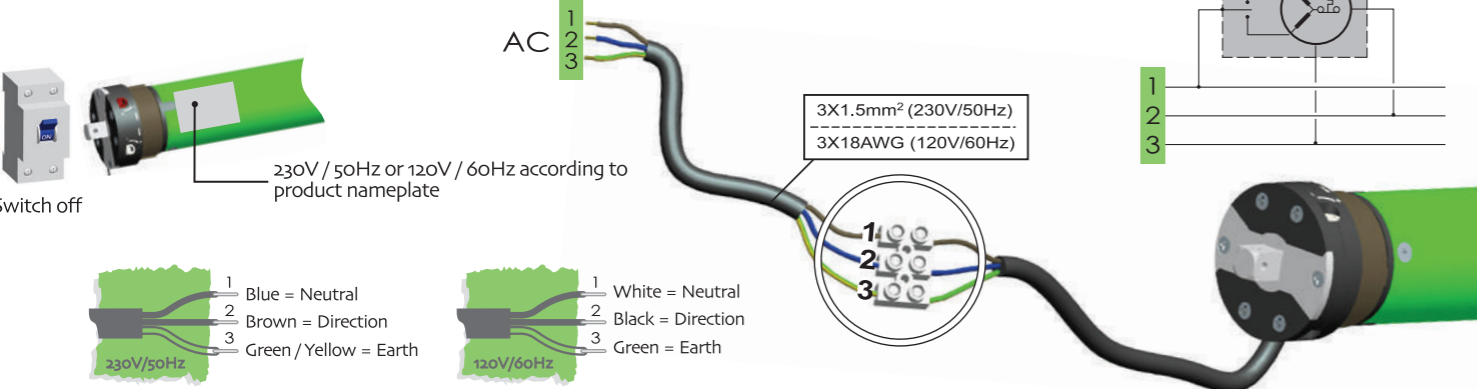
# 2 Drive adapter installation



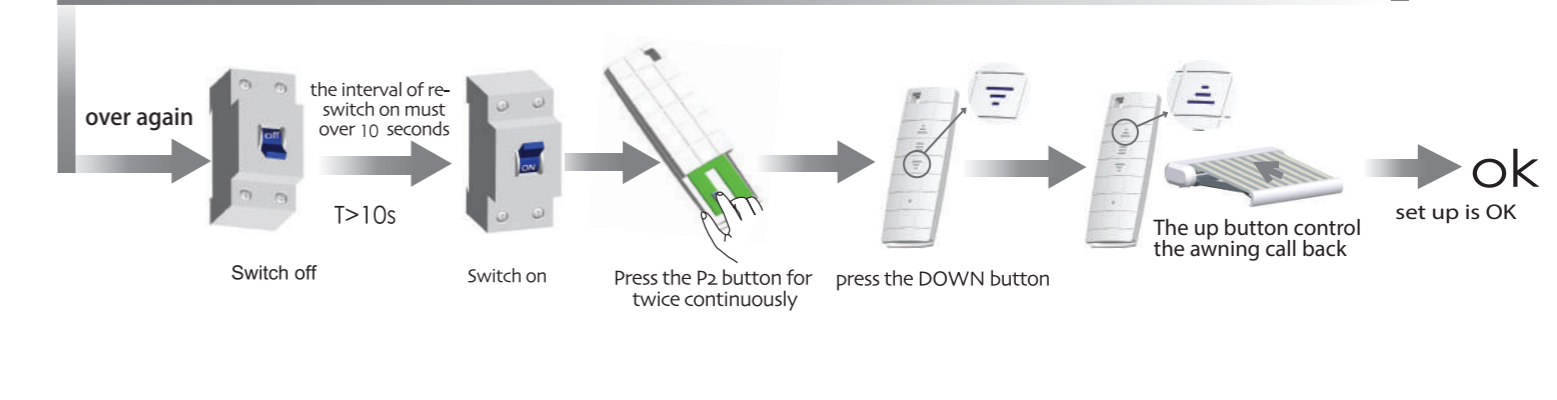
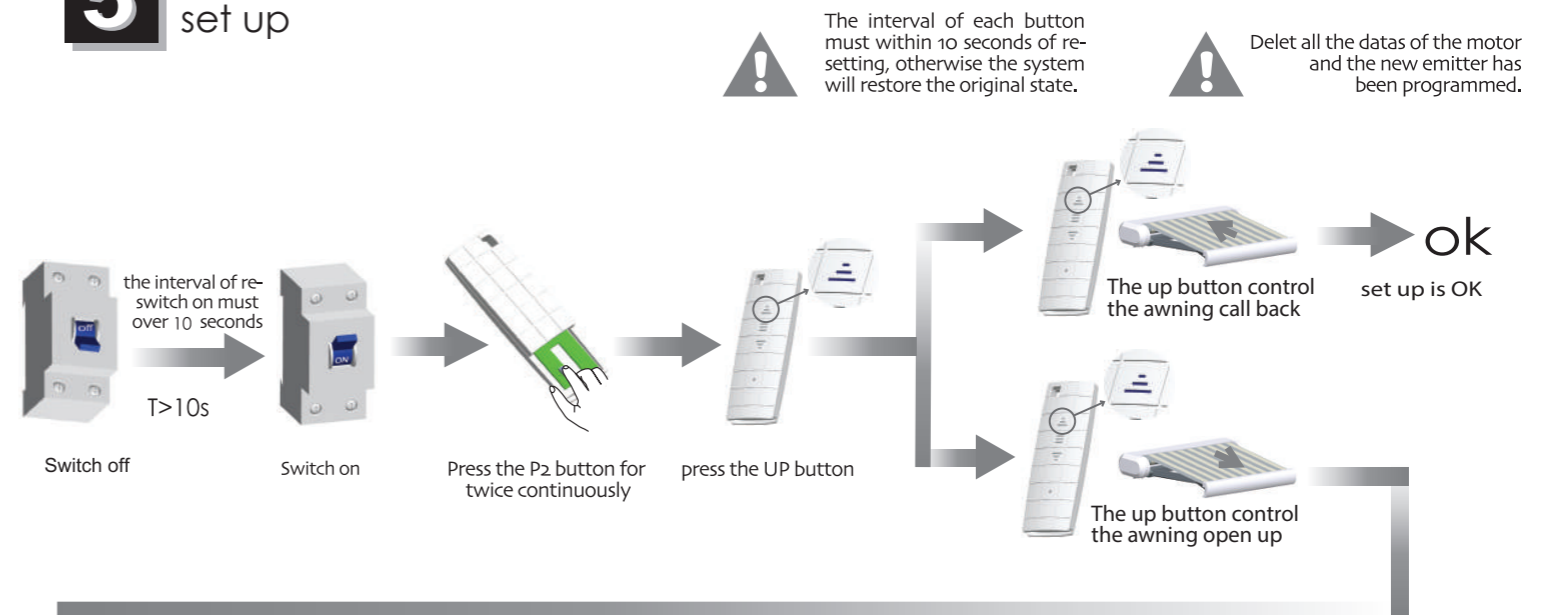
# 3 Bracket installation



# 4 Circuit installation



# 5 set up



# 6 Set the limit switch for full cassette awnings of Electronic D type

**1** In the process of adjusting the limit, (1) press up-button, the awning will call back (2) press down-button, the awning will move open (3) In the process of moving open and call back press the set button once, the awning will be under the step-moving status. (4) Press the stop key to confirm the rolling door limit position (You can press any key again to readjust limit position).

**2** press setting key to exit current setting when taking back awning, meanwhile, delete the former limit switch

