

WIRED



Non-compliance with the specification might cause risk for life or health and can determine proper work of the roller shutter. We strongly recommend to comply with the specification. Installation of the tubular motor should be performed by specialists with 1kV or higher SEP-certified electrician's licence (SEP - Association of Polish Electrical Engineers) or equal license.

General information



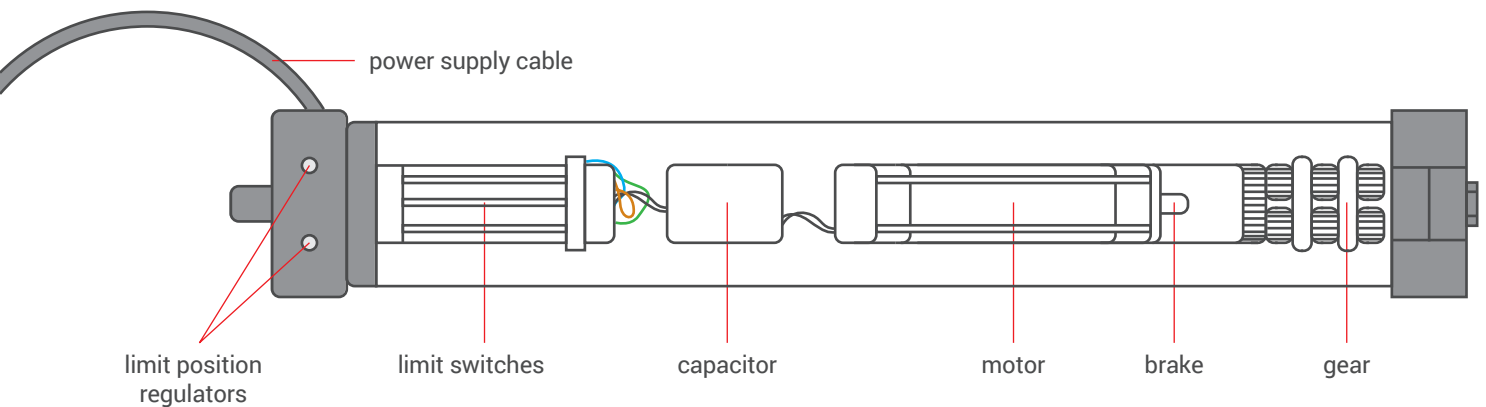
S type motors are designed for automation of roller shutters blinds and shutters or roller garage doors. They can also be controlled by a wall switch or throughout additional radio receiver. Motors are equipped with mechanically set limit positions allowing roller shutter to stop on desired level.

Max time of continuous work:
4 min.

Power supply:
230 V / 50 Hz

Operating temperature:
from -25°C to 50°C

Protection degree:
IP 44



Maximal time of continuous work is 4 minutes. After that time thermal protection will be activated preventing motor from overheating. After that motor will be disabled for about 20 minutes until it cools down.

Safety measures

Before installing or using motor please read the following instruction. Installation of the tubular motor should be performed by specialists with 1kV or higher SEP-certified electrician's licence (SEP - Association of Polish Electrical Engineers) or equal license. Montage should be done by a qualified installer with compliance with all requirements and norms implemented in the country of installation as well as should transfer all information concerning usage and maintenance of the device to the user. Non-compliance to this instruction of installation and usage can present risks to health and safety of installer and/or user and may cause failures in correct operation of the roller shutter. Negligence of mentioned safety measures may lead to the lapse of liability for damages in the event of damage or loss.



Motors torque parameter should be adequate to the weight of the roller shutter curtain.



Wiring should be mounted in a way preventing water from entering the tubular motor.



Electrical system control should be performed regularly to detect any signs of use or damage of the motor.



Electrical supply needs to be disconnected before conducting any maintenance, cleaning and/or repair work.



All contact of the motor with any liquids should be reduced to minimum.



No tools should be used when placing motor in the tube.



During the adapter montage special attention must be paid not to damage the motor.

WIRED



Non-compliance with the specification might cause risk for life or health and can determine proper work of the roller shutter. We strongly recommend to comply with the specification. Installation of the tubular motor should be performed by specialists with 1kV or higher SEP-certified electrician's licence (SEP - Association of Polish Electrical Engineers) or equal license.

Safety measures



Motor and its control system should be kept out of reach of children.



Direct control of a more than one motor by a single switch is impossible.



Direct control of a single motor by more than a one switch is impossible.

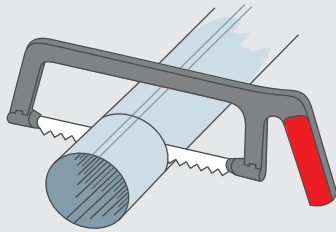


Controller should be placed not lower than 140 cm from the floor level and in distance allowing to observe the movement of the roller shutter.

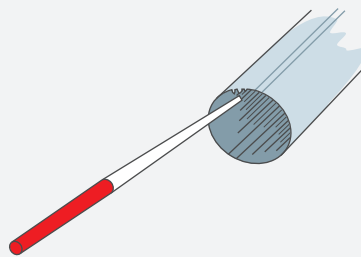
Placing motor in the tube



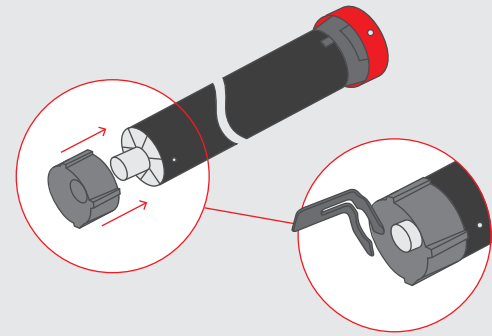
Motor should be mounted in places protected from unfavourable weather conditions.



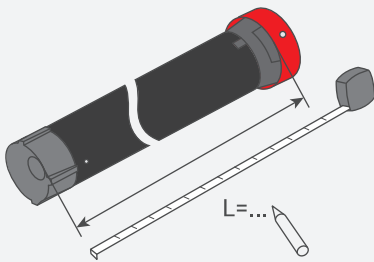
1. Cut the tube to the proper length.



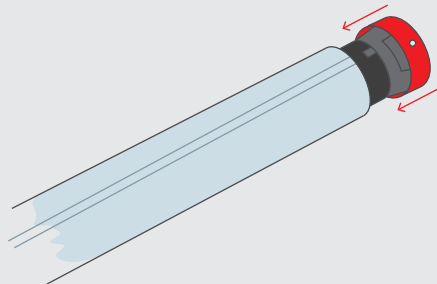
2. Deburr the edges and remove the metal residue.



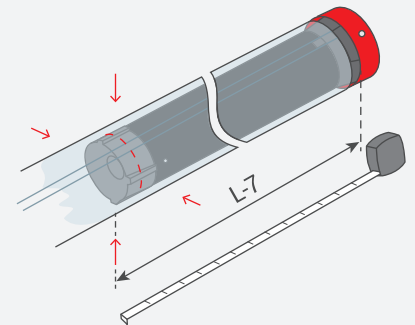
3. Place the adaptation on the motor.



4. Measure the distance (L) between the inner edge of motors head and the end of the motors adaptor.



5. Insert the motor into the tube up to the point of connection between the edge of the tube and the inner edge of the motors head.

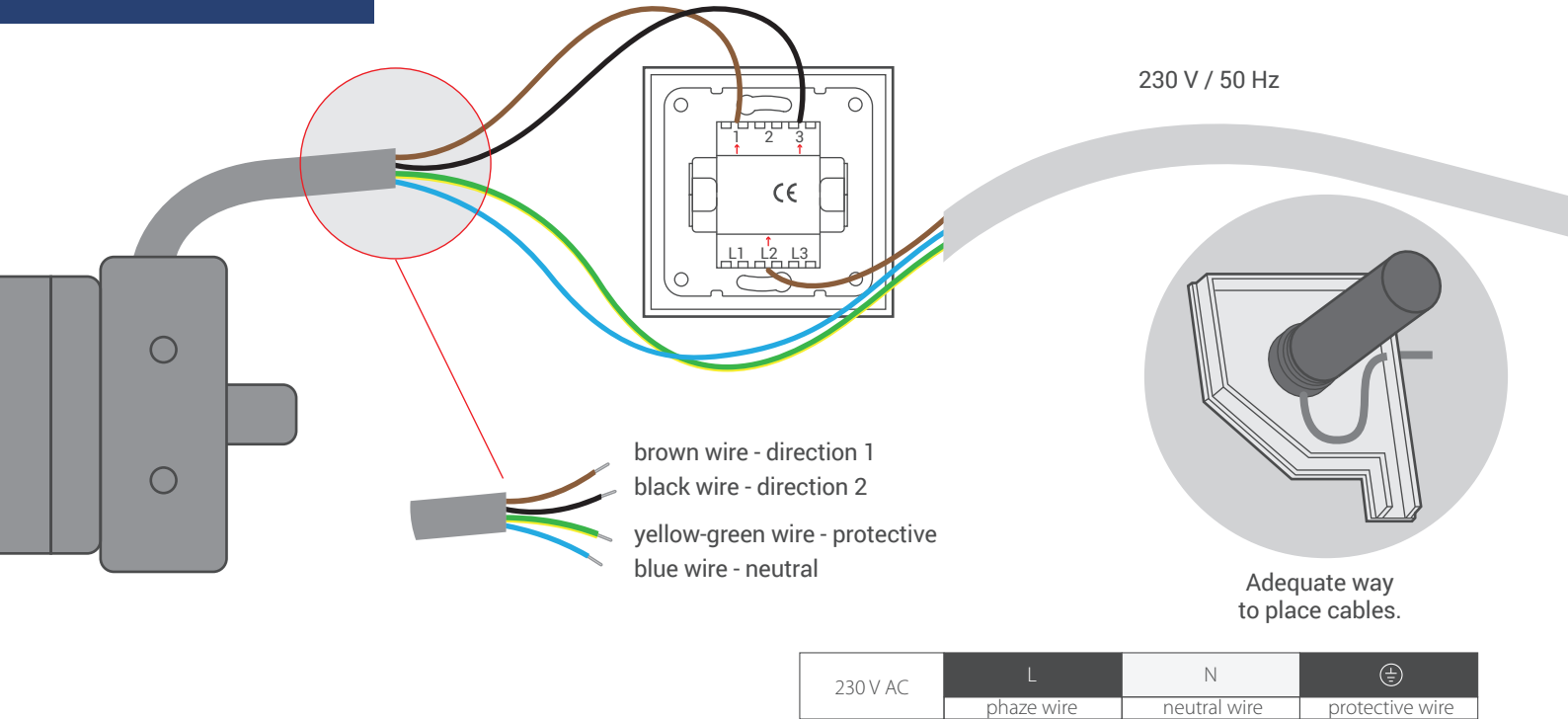


6. Secure the tube to the coupling part of the adaptation using 4 screws or rivets, placed at L-7 mm distance from the inner edge of the motors head.



Non-compliance with the specification might cause risk for life or health and can determine proper work of the roller shutter. We strongly recommend to comply with the specification. Installation of the tubular motor should be performed by specialists with 1kV or higher SEP-certified electrician's licence (SEP - Association of Polish Electrical Engineers) or equal license.

Connection

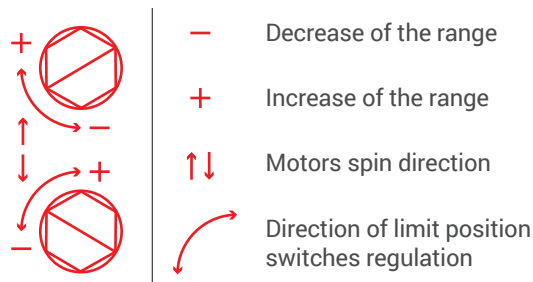


Installation of the tubular motor should be performed by specialists with 1kV or higher SEP-certified electrician's licence (SEP - Association of Polish Electrical Engineers) or equal license. Device is designed to operate in places shielded from unfavourable weather conditions. Motor should be installed in accordance with all provisions of regional law and professional standards. All cables connecting power receiver with electric source should be protected from overload and short-circuits effects with devices automatically disconnecting power. Device should be powered with a separate source and protected only with a fast-blow fuse (never slow-blow fuse). Creating electrical system using inadequate fuse may result in losing rights under the provisions of warranty. When connecting device to power source with cables with adequate cross-section should be used. Long-lasting output load capacity table should be the ground for choosing adequate cables.

Setting limit positions



Limit positions need to be set manually using supplied regulator.



For setting bottom or top limit position roller shutter needs to be started (opening or closing direction) until it stops at the factory set height. For increasing the range of limit position turn the rotary regulator in the '+' direction. Analogically, for decreasing the range, turn in the '-' direction.