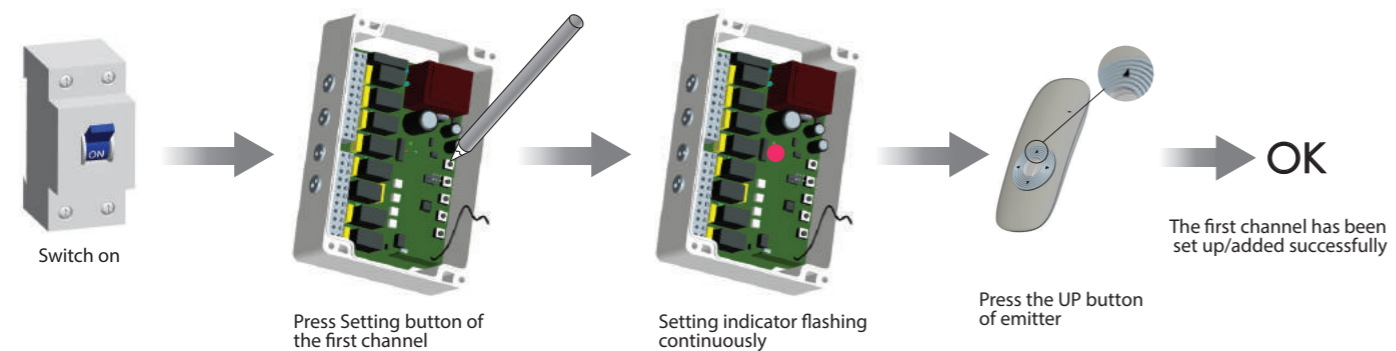


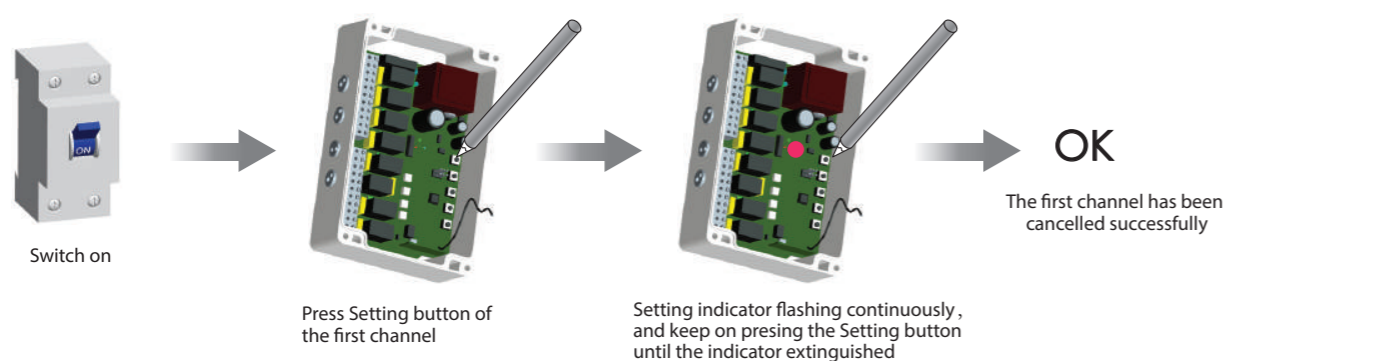
A Set up and add emitter

Additional Function



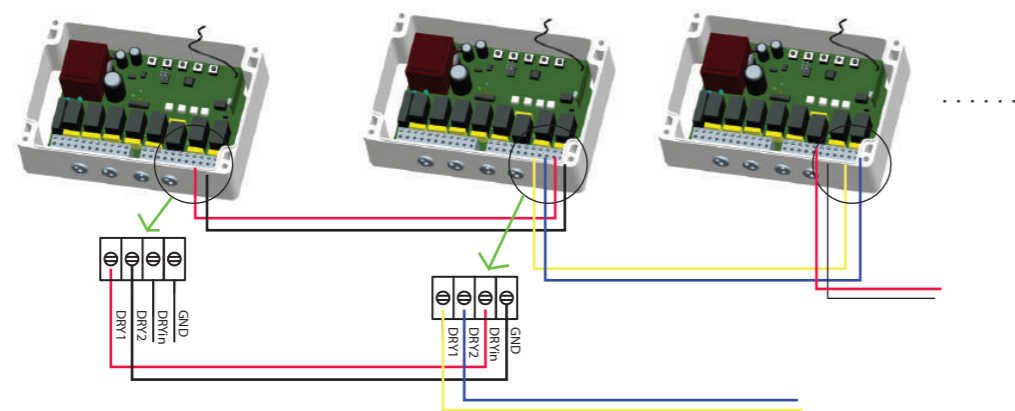
A Cancel Emitter

Additional Function



A Group control

Additional Function



! Common failures and solutions

Attention

	Fail-phenomena	Failure causes	solutions failure recovery
1	Switch on, the drive adapter runs in one-way operation	Inside limit switch of motor doesn't open	Crown running one circle in the opposite direction of the drive adapter, then it works
2	Motor starts slowly or not work after connect power	a. Power voltage is slow b. Wiring error c. Overload d. Improper installation	a. Adjust power to rated data b. Check circuit and correct wiring connecting c. Rated torque associated with the installation of the load d. Re-install the motor
3	Motor stops suddenly after running	Motor works 6 minutes more than its rated working time	Motor will automatically resume work after 20 minutes cooling
4	Abnormal sound during roller blinds in operation	Outer tube is too long, led the rolling shutter connects with both sides of bracket too tightly	If idler is active, propering make the tube shorter to avoid too tight status.

433MHz 868MHz CE
All controls support 433MHz & 868MHz
All controls support 230V/50Hz & 120V/60Hz

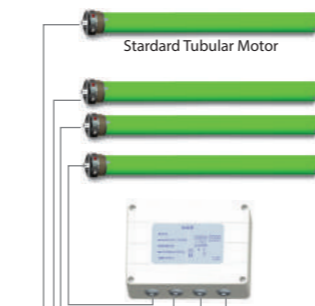
Control System

DC161 Control System Specification

Version No: A/01

T Receiver Specification

Technical Support

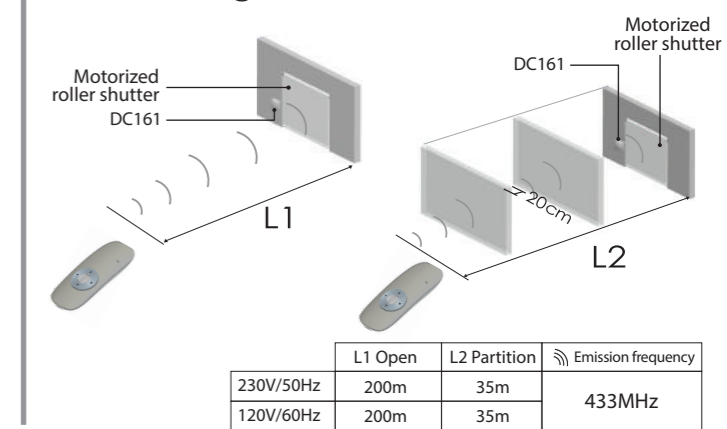


DC161 Four-group remote control

- Remote control
- Electrical Type
- Each channel can store twelve effective channels
- Can control four channels motors
- External group control switch connectable
- Linkage control

Emitters which is set up with group control Setting button can control the four channels motor at the same time. Linkage control can control all the DC161 connected

Control Range



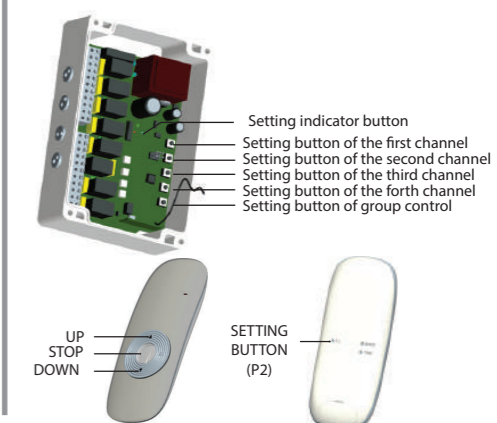
T Matchable emitter

Technical Support



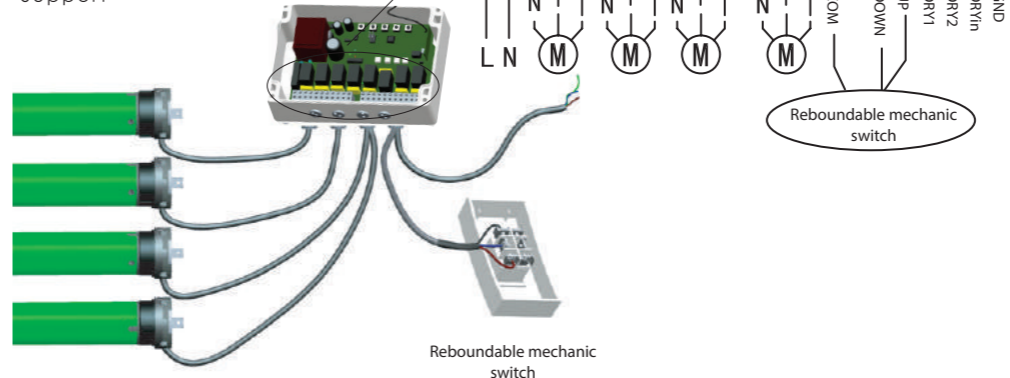
For the emitters without setting button like DC316, you can press Up button and Stop button at the same time to work as the same function as setting button.

Button specification

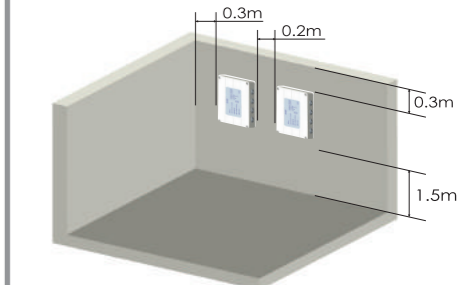


T Circuit installation

Technical Support



The best installation distance



- The shortest distance between receiver and ground $\geq 1.5m$
- The shortest distance between receiver and roof $\geq 0.3m$
- The shortest distance between receiver and receiver $\geq 0.2m$